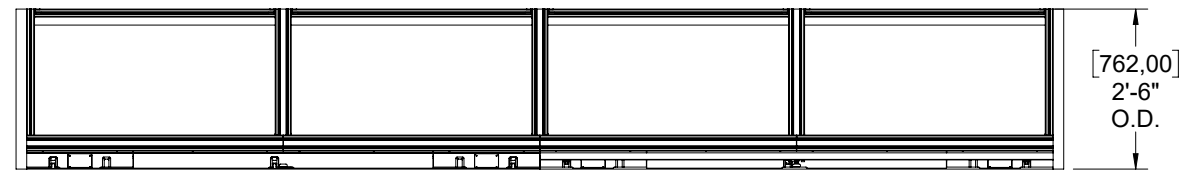
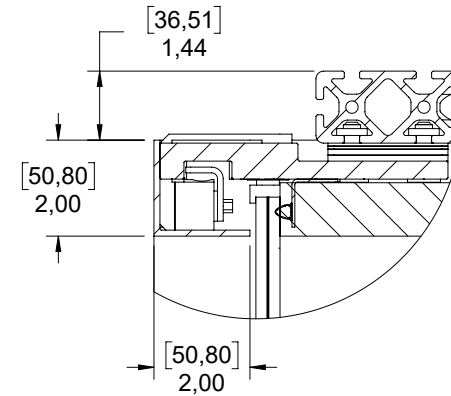


DEMO CASE - ZSL-1000 GLASS SLIDING SYSTEM

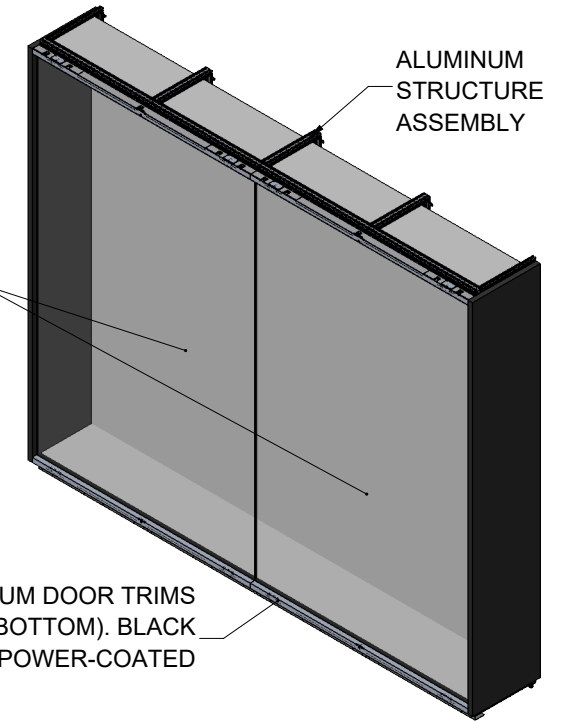


TOP VIEW
SCALE 1:60

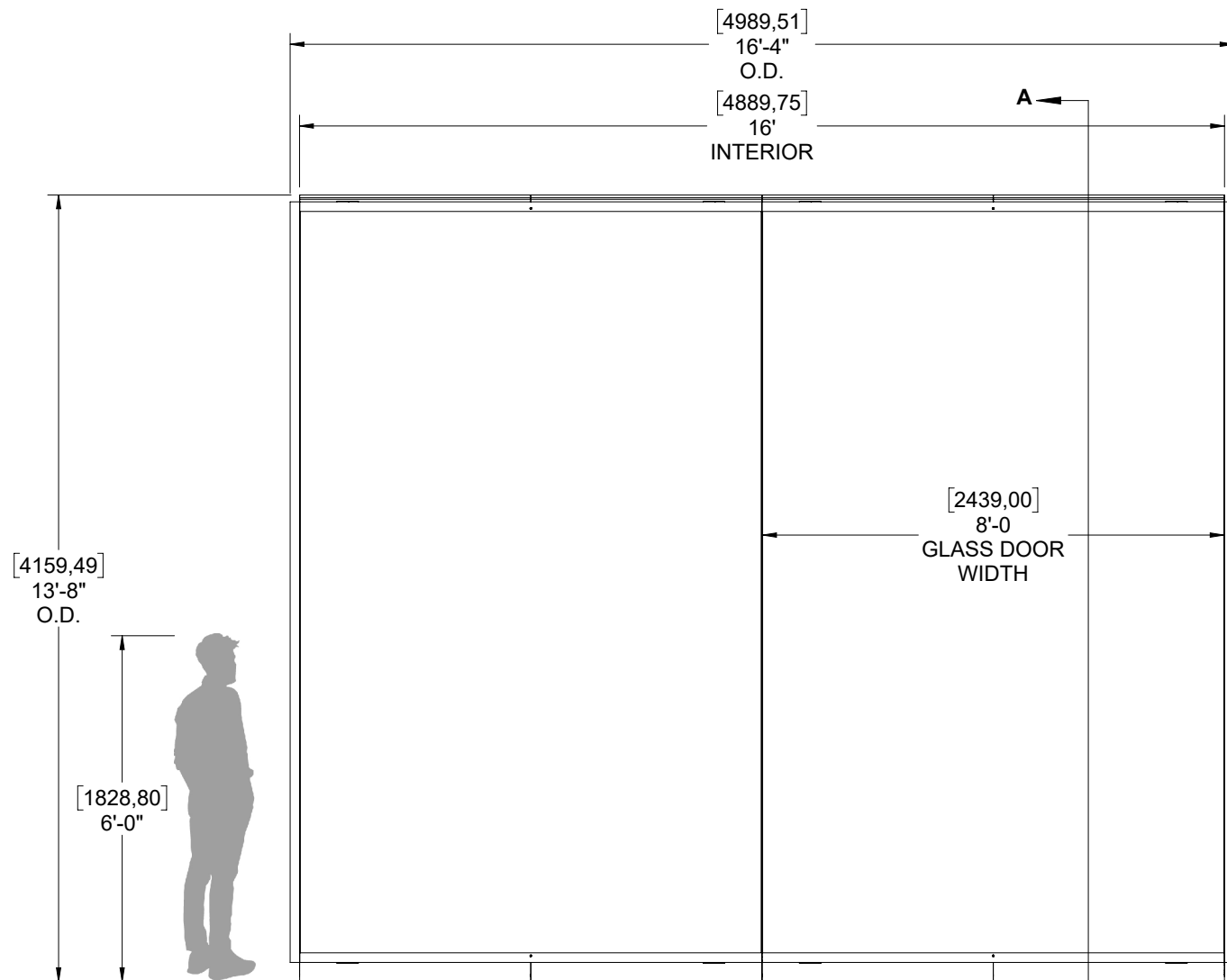


DETAIL C
SCALE 1:4

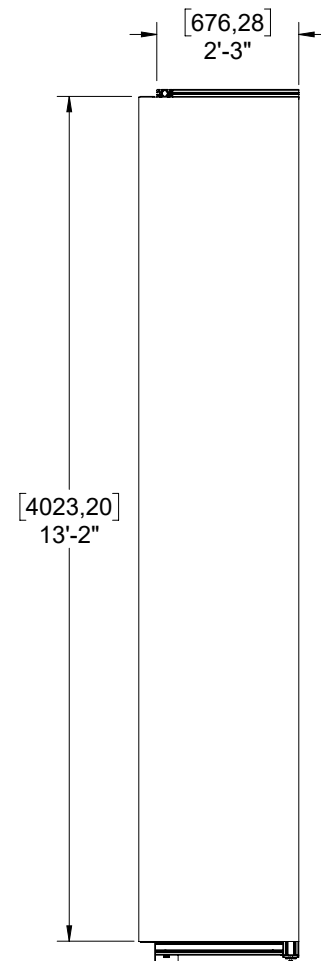
GLASS DOOR ASSEMBLY (LEFT, RIGHT)



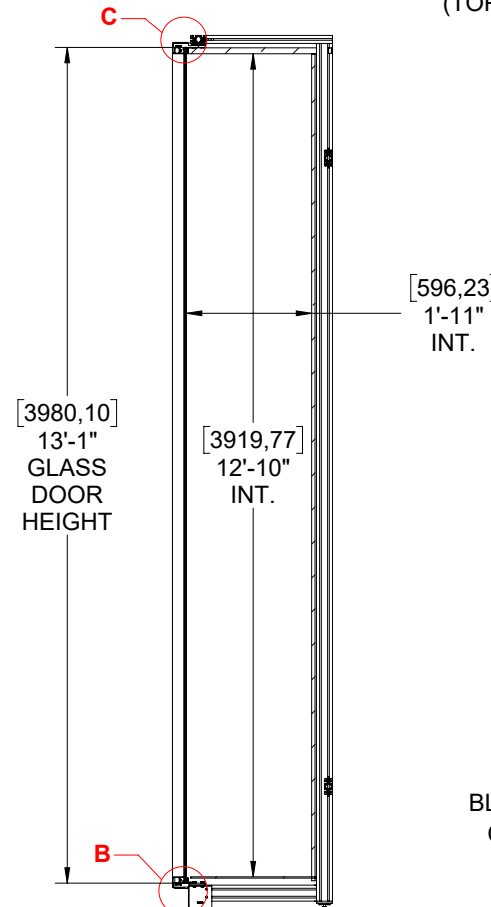
ISOMETRIC VIEW
SCALE 1:60



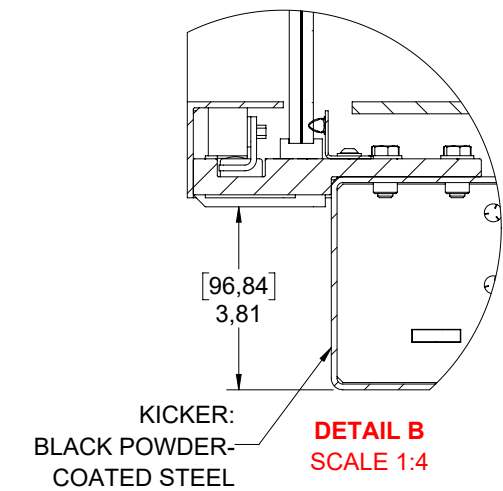
FRONT VIEW
SCALE 1:60



SIDE VIEW
SCALE 1:60



SECTION A-A



DETAIL B
SCALE 1:4

KICKER:
BLACK POWDER-
COATED STEEL

DATE	PAR / BY	DESCRIPTION	REV.
2024-03-25	V.M.L.	CREATION	R00
REVISIONS			